

HW39 Hot Water Boiler

450-4100 kW

Developed primarily for export to non-EU countries, the Cochran HW39 series of compact hot water boilers has been developed to meet today's demands for higher operational efficiencies and lower emissions. Built to the latest harmonised European EN 12953 codes, the HW39 series utilises cutting edge combustion and control equipment.

This Boiler is UKCA, UKNI+CE or CE marked to meet the requirements of the Pressure Equipment; Low Voltage; Electro-Magnetic Compliance; and Machinery Safety Directives. Throughout the manufacturing process, this boiler is subject to inspection by a leading Independent Insurance Company, in addition to Cochran's own ISO 9001-compliant quality procedures.

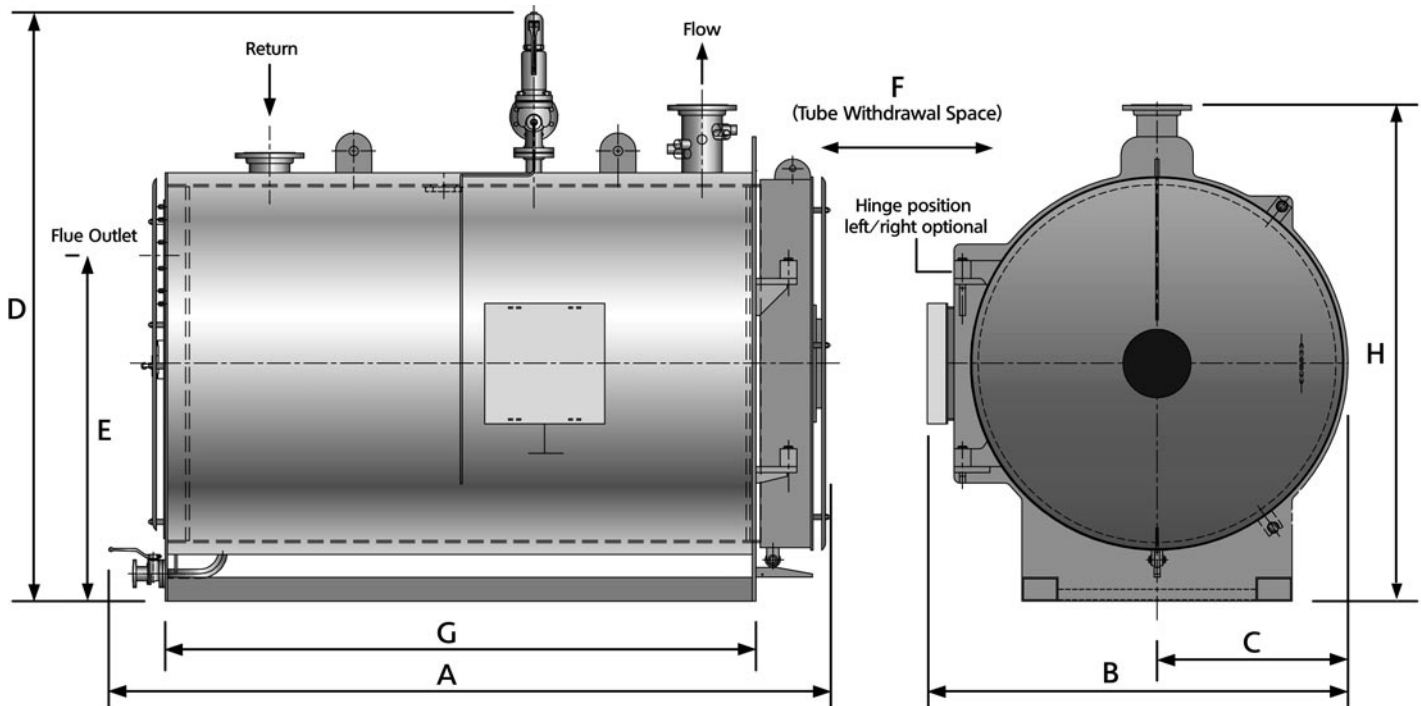
Cochran's HW39 packaged hot water boiler offers the following key features and optional upgrades:

- A compact, fully wet-back hot water boiler range, developed to meet today's demands for higher operational efficiencies and lower emissions.
- Provides energy saving, low emissions solutions for commercial and industrial applications.
- Normal operating pressure is 5.25 Barg, with options up to 10 Barg.
- Wide range of combustion, control packages and economiser options.
- Variable speed drives for FD Fan motor helps deliver low noise levels and reduce power consumption.



HW39 Hot Water Boiler

450-4100 kW



HW39 Model		HW39-1	HW39-2	HW39-3	HW39-4	HW39-5	HW39-6	HW39-7	HW39-8	HW39-9	HW39-10	HW39-11
Output	kW	450	650	900	1200	1400	1650	2000	2500	3000	3500	4100
A	mm	2302	2502	2602	2677	2802	2902	2852	3202	3302	3402	3812
B	mm	1443	1483	1573	1668	1668	1883	2013	2143	2143	2193	2348
C	mm	575	595	640	687.5	687.5	795	860	925	925	950	1027.5
D	mm	1873	1913	2088	2183	2183	2453	2583	2713	2713	2893	3138
E	mm	1125	1165	1250	1317	1317	1440	1505	1695	1695	1705	1855
Boiler Tube Withdrawal	F mm	1705	1905	2005	2080	2205	2305	2255	2605	2705	2805	3215
G	mm	1860	2060	2160	2235	2360	2460	2410	2760	2860	2960	3370
H	mm	1628	1668	1758	1853	1853	2068	2198	2328	2328	2378	2533
Rec. Chimney Dia	mm	170	200	230	275	300	325	375	405	450	475	500
Flow Connection Dia	mm	125	125	125	150	150	150	200	200	200	200	200
Return Connection Dia	mm	125	125	125	150	150	150	200	200	200	200	200
Safety Valve Size	mm	32	32	40	40	40	50	50	50	50	65	80
Safety Valve Outlet Dia	mm	50	50	65	65	65	80	80	80	80	100	125
Drain Valve Dia	mm	25	25	25	25	25	25	25	25	25	25	25
Weight Empty	Tonnes	2.6	3.1	3.4	3.6	3.8	4.6	4.9	5.6	5.8	7.2	8.3
Weight Full	Tonnes	3.4	4.0	4.5	4.9	5.1	6.6	7.1	8.5	8.8	10.4	12.8

Notes:

1. All dimensions and weights are approximate only and are based on a boiler with a working pressure of 5.25 BarG.
2. The weights include an allowance for the combustion equipment.

+44(0) 1461 202 111 www.cochran.co.uk

Newbie Works, Annan, Dumfries & Galloway, UK DG12 5QU.

Whilst this information is given in good faith, no warranty or representation is given concerning such information which must not be taken as establishing any contractual or other commitment binding upon Cochran Group Ltd Company or any of its subsidiary associated companies. ©2021 Cochran Ltd. Version 2 02/21

